

Industrial Ethernet Switch

ODOT-MS105T/108T/116T

User Manual

V2.10

2021.02.01

ODOT-MS105T/108T/116T unmanaged



ODOT Automation System Co., Ltd.

2021-02

Copyright ©2021 ODOT Automation all rights reserved

Version Information

Date	Version	Content	Author
2021-02-01	V1.00	Release version	CCL

Ownership rights information

Without the permission of the copyright owner, all or part of this document shall not be republished as a paper or electronic document.

Disclaimer

This document is only intended to assist the reader in using the products, and the company shall not be responsible for any loss or error caused by the use of the information in this document. The product and text described in this document are under constant development and refinement. ODOT Automation System Co., Ltd. has the right to modify this document without notifying users.

Software download

Please log on the official website: www.odotautomation.com and click on the corresponding product page to download.

Content

1.Product Overview	5
1.1 Product Introduction	5
1.2 Function Introduction	5
1.3 System Parameter.....	6
2.Hardware description	7
2.1 Product appearance	7
2.2 Product identification drawing	8
2.3 Wiring diagram.....	8
2.4 LED indicator description	9
2.5 Installation size	12
3. Troubleshooting	14

1. Product Overview

1.1 Product Introduction

ODOT-MS105T/108T/116T is a series of plug and play, industrial grade non-management Ethernet switch with 5/8/16 100Mbps ports, all of which support 10/100Mbps auto-negotiation (MDI/MDIX), IEEE 802.3/802.3U / 802.3X, Auto-MDI /MDIX and broadcast storm protection.

The switch operating temperature range is -20 ° C to 70 ° C, and it could be applied to a variety of industrial environments with standard 35mm DIN rail installation, and its protection level is IP20.

1.2 Function Introduction

	ODOT-MS105T	ODOT-MS108T	ODOT-MS116T
Support	IEEE 802.3/802.3x/802.3u		
Input voltage	1 way 9~36V DC		2 way 9~36V DC
Installation	35mm standard Din rail		
MAC address	2K		16K
Support	Auto-negotiation 10/100Mbps, half/full duplex, Auto MDI/MDIX		
operating temperature	-20~70 °C		
Humidity	5~90%(no-condensation)		
Support	Broadcast storm protection		
Support	Anti-reverse connection protection		
Warranty	3 years		

1.3 System Parameter

Technical Parameter

	ODOT-MS105T	ODOT-MS108T	ODOT-MS116T
IEEE 802.3	10BaseT		
IEEE 802.3u	100BaseT(X)		
IEEE 802.3x	Flow Control		
Process Type	Storage and forwarding		

Switch Attribute

	ODOT-MS105T	ODOT-MS108T	ODOT-MS116T
MAC address size	2K		16K
Packet buffer area size	512bit		4MB
Interface	RJ45 port: 10/100BaseT(X) auto-sensing, MDI/MDIX auto-negotiation		
Operating Conditions	Temperature: -20~70 °C		Temperature: -40~85 °C
Power	9V~36V DC (suggested 24V)		
Overcurrent Protection	1.25A		
Anti-reverse connection protection	Support Anti-reverse connection protection		

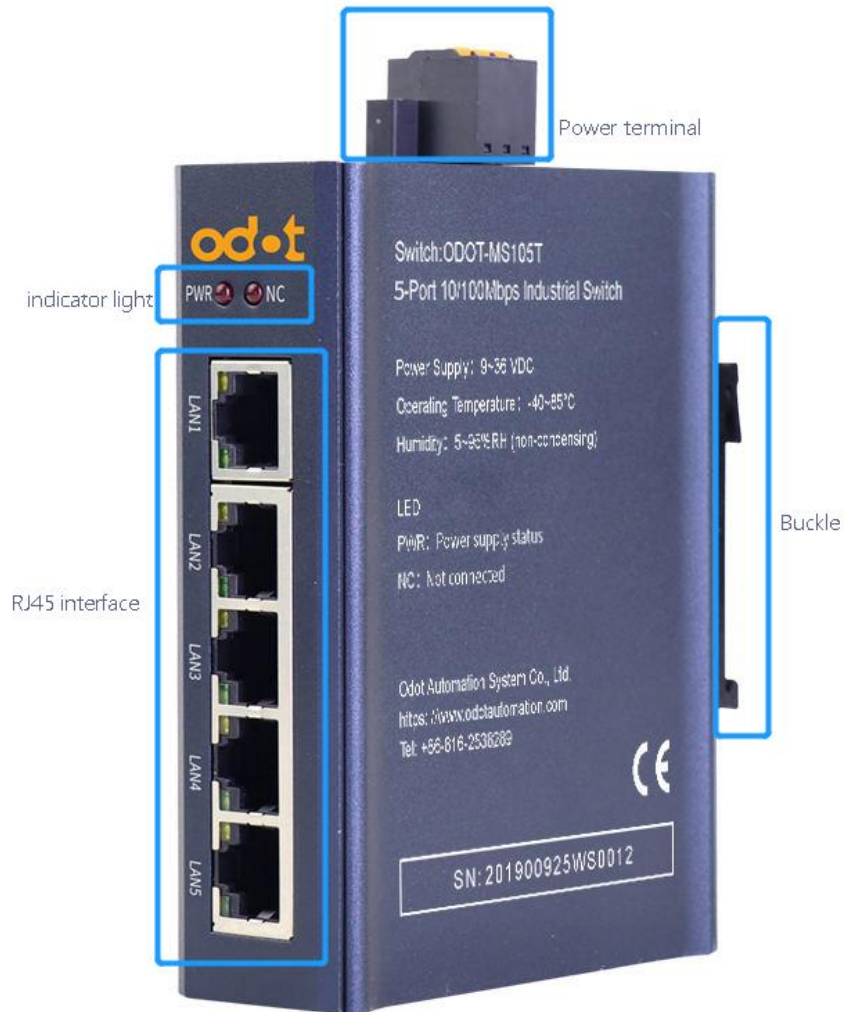
Electric Parameter

	ODOT-MS105T	ODOT-MS108T	ODOT-MS116T
Operating Voltage	9~36V DC		
Overcurrent Protection	1.25A		
Overall Power Consumption	50mA@24V	80mA@24V	200mA@24V
Humidity	5~95% (no-condensation)		
Warranty	3 years		
ESD	2KV		

2. Hardware description

2.1 Product appearance

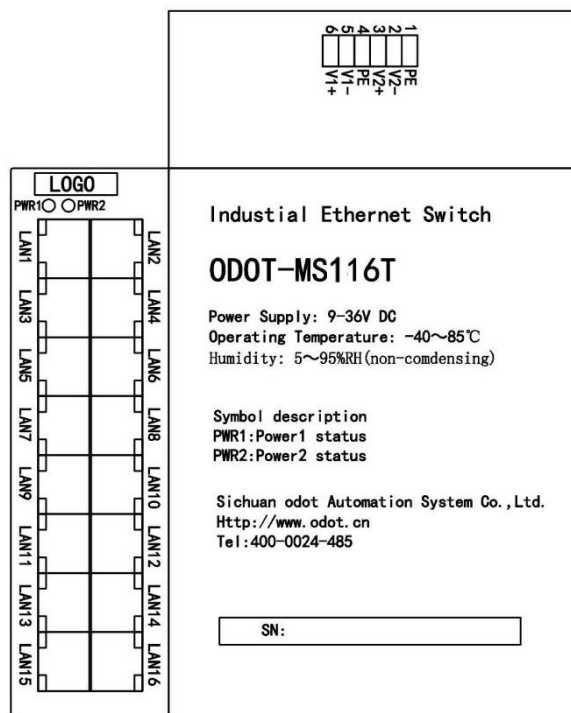
Take ODOT-MS105T as example (ODOT-MS108T, ODOT-MS116T is similar)



○

2.2 Product identification drawing

Take ODOT-MS116T as example (ODOT-MS105T, ODOT-MS108T is similar)



2.3 Wiring diagram

Table 2.3.1 ODOT-MS105T wiring instruction

Wiring port	Wiring marking	Wiring instruction
1	PE	Earthing
2	V-	Power input negative
3	V+	Power input positive

Table 2.3.2 ODOT-MS108T wiring instruction

Wiring port	Wiring marking	Wiring instruction
1	PE	Earthing
2	V-	Power input negative
3	V+	Power input positive

Table 2.3.3 ODOT-MS116T wiring instruction

Wiring port	Wiring marking	Wiring instruction
1	PE	Earthing
2	V2-	Power 2 input negative
3	V2+	Power 2 input positive
4	PE	Earthing
5	V1-	Power 1 input negative
6	V1+	Power 1 input positive

2.4 LED indicator description

1. Power LED

Table 2.4.1 ODOT-MS105T/108T LED instruction

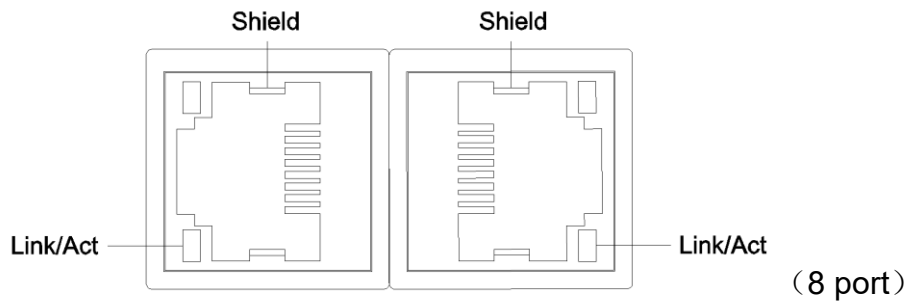
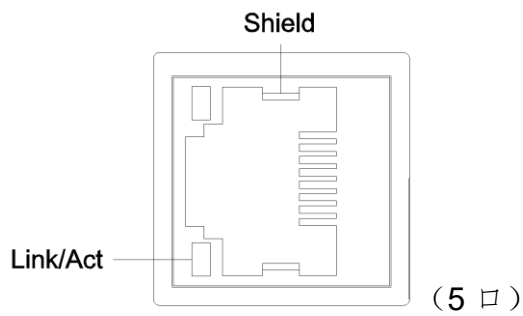
Marking	Status	Definition
PWR	ON (RED)	Power supply is normal
	OFF(RED)	Power supply is abnormal

Table 2.4.2 ODOT-MS116T LED instruction

Marking	Status	Definition
PWR1	ON (RED)	Power supply 1 is normal
	OFF(RED)	Power supply 1 is abnormal

PWR2	ON (RED)	Power supply 2 is normal
	OFF(RED)	Power supply 2 is abnormal

2. Network port indicator LED



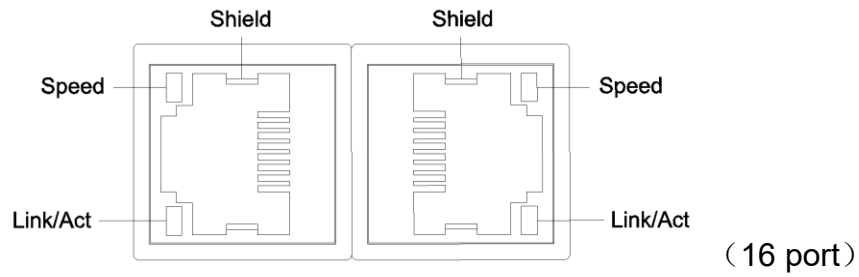
Link/Act: Link Status indication, Active: Active indicator

ON: Link UP

OFF: Link DOWN

Flash: Active

SHIELD: RJ45 Plug shield interface



Speed: Network speed indicator light (multi-color)

Green on: 100Mbps

Green off: 10Mbps

Link/Act: Link Status indication, Active indicator

ON: Link UP

OFF: Link DOWN

Flash: Active

SHIELD: RJ45 Plug shield interface

2.5 Installation size

Table 2.5.1 ODOT-MS105T Installation size



Table 2.5.2 ODOT-MS108T Installation size



Table 2.5.3 ODOT-MS116T Installation size



3. Troubleshooting

(1) The "PWR" LED is off, please check whether the switch power supply is normal;

(2) Insert the cable, but the LED on the Ethernet port is not on. Please check whether the plug at both ends of the cable have been firmly inserted and whether the cable is damaged.

Odor Automation System Co., Ltd.

Add: No.6 Hongsheng Road, Hi-Tech District, Mianyang, Sichuan, China.



Tel: +86-0816-2538289

Zip Code: 621000

Email:sales@odotautomation.com

Web: www.odotautomation.com